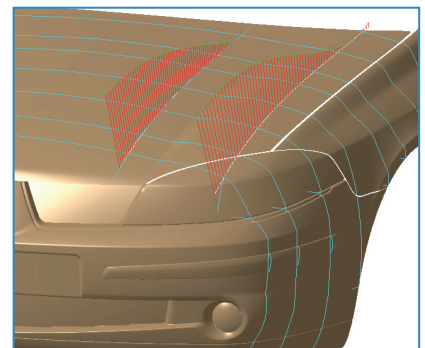
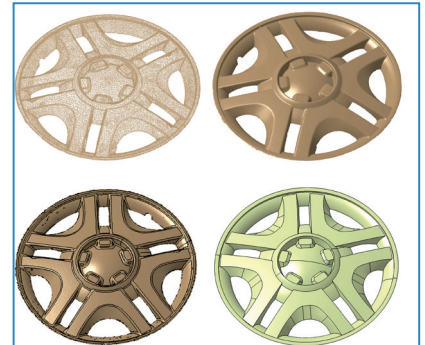
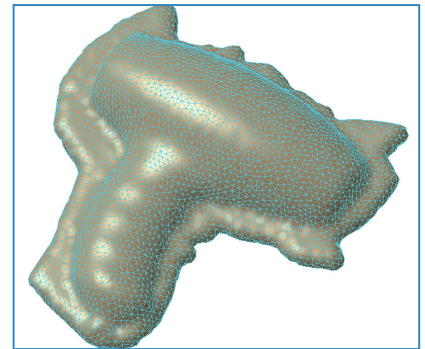


All of our training sessions include both theoretical and practical parts. The attendees handle the equipment and/or navigate through the software in order to acquire comprehensive knowledge of their operation. Creaform has a state-of-the-art training room in its Levis headquarters. Nonetheless, our trainers can also teach on the clients premises, whatever suits their convenience.

We offer training ranging from basic to expert level, which curriculum material and duration are tailored to the client's needs.

<b>TRAINING COURSE</b>	Digitized Shape Editor
<b>DURATION</b>	1 day
<b>LEVEL</b>	Fundamentals
<b>OBJECTIVES</b>	<p>Upon completion of this course you will be able to:</p> <ul style="list-style-type: none"> <li>• Import and process digitized point cloud data</li> <li>• Create tessellated mesh on the point cloud data</li> <li>• Extract characteristic curves from the data</li> <li>• Export the result in the popular file formats</li> </ul>
<b>PARTICIPANTS' PROFILE</b>	Shape Designers
<b>PREREQUISITES</b>	Students attending this course should be familiar with the CATIA V5 interface
<b>CONTENT</b>	<ul style="list-style-type: none"> <li>• Introduction: CATIA Digitized Shape Editor</li> <li>• Point Processing</li> <li>• Mesh Processing</li> <li>• To Sum Up</li> <li>• Advanced Tasks</li> </ul>



Creaform is a Dassault-certified training center, through the EPP program.

