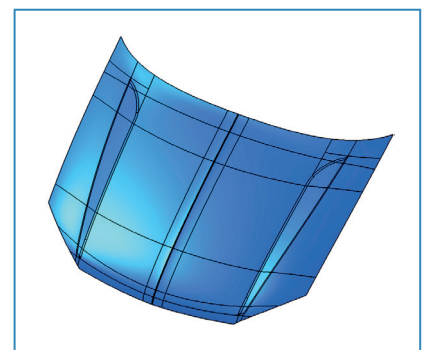
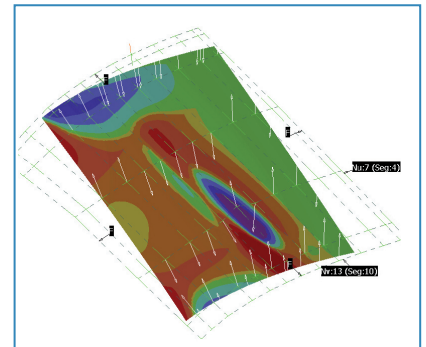
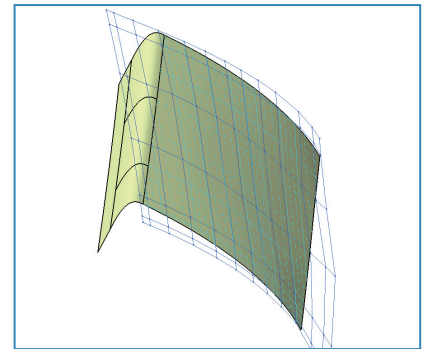




All of our training sessions include both theoretical and practical parts. The attendees handle the equipment and/or navigate through the software in order to acquire comprehensive knowledge of their operation. Creaform has a state-of-the-art training room in its Levis headquarters. Nonetheless, our trainers can also teach on the clients premises, whatever suits their convenience.

We offer training ranging from basic to expert level, which curriculum material and duration are tailored to the client's needs.

TRAINING COURSE	FreeStyle Shaper, Optimizer & Profiler
DURATION	1.5 days
LEVEL	Fundamentals
OBJECTIVES	<p>In this course you will learn how to:</p> <ul style="list-style-type: none"> • Create styled shapes using digitized data • Create surfaces using a curve-based approach • Create surfaces using a surface-based approach • Analyze and correct the curve quality • Analyze and correct the surface quality
PARTICIPANTS' PROFILE	Surface Designers
PREREQUISITES	Students attending this course should have knowledge of CATIA Surface Design
CONTENT	<ul style="list-style-type: none"> • Introduction to FreeStyle Shaper • Using the Curve-Based Approach • Using the Surface-Based Approach • Analysis Tools



Creaform is a Dassault-certified training center, through the EPP program.



Certified PLM
Education
Partner