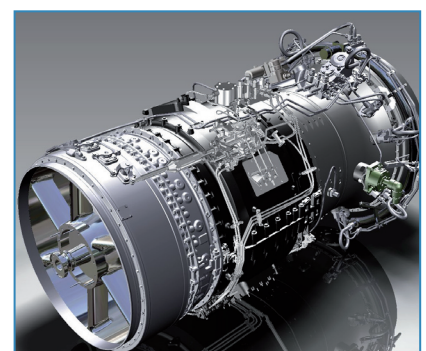
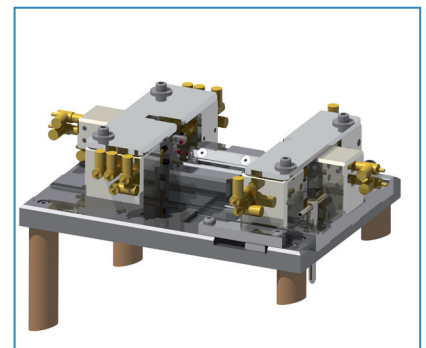
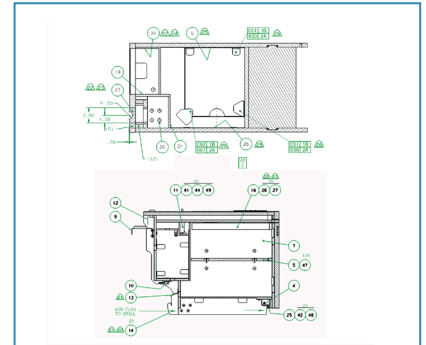
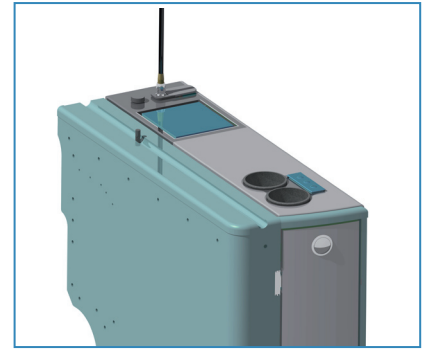




All of our training sessions include both theoretical and practical parts. The attendees handle the equipment and/or navigate through the software in order to acquire comprehensive knowledge of their operation. Creaform has a state-of-the-art training room in its Levis headquarters. Nonetheless, our trainers can also teach on the clients premises, whatever suits their convenience.

We offer training ranging from basic to expert level, which curriculum material and duration are tailored to the client's needs.

TRAINING COURSE	CATIA V5 Fundamentals
DURATION	5 days
LEVEL	Fundamentals
OBJECTIVES	<ul style="list-style-type: none"> • Understand the CATIA V5 interface • Plan the construction of a part in order to properly convey its visual and functional aspects • Create simple parts in CATIA V5 • Understand how to manage parts in the context of an assembly • Produce simple drawings and assembly layouts
PARTICIPANTS' PROFILE	New CATIA V5 Mechanical Designers
PREREQUISITES	Mechanical design experience. Experience with the Windows operating system.
CONTENT	<p>This course will introduce you to CATIA V5. It will teach you how to build simple parts and assemblies in CATIA, and how to make simple drawings of those parts and assemblies.</p> <ul style="list-style-type: none"> • Lesson 1: Introduction to CATIA • Lesson 2: Profile Creation • Lesson 3: Basic Features • Lesson 4: Additional Features • Lesson 5: Dress-Up Features • Lesson 6: Reusing Data • Lesson 7: Finalizing Design Intent • Lesson 8: Assembly Design • Lesson 9: Design in Context • Lesson 10: Drafting ISO • Lesson 10: Drafting ANSI



Creaform is a Dassault-certified training center, through the EPP program.