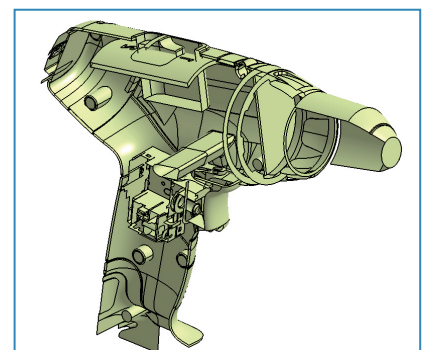
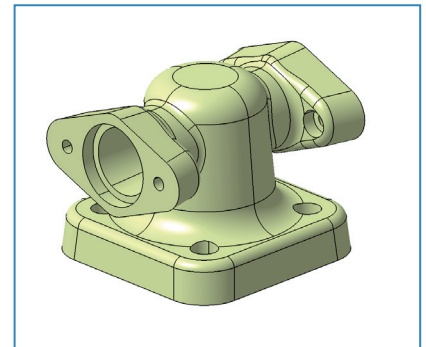
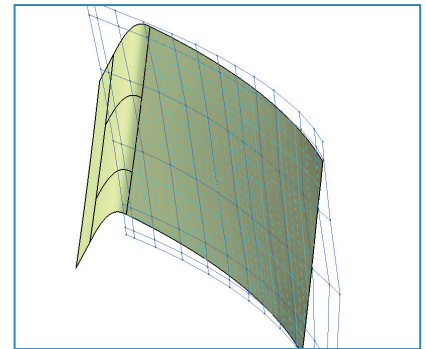




All of our training sessions include both theoretical and practical parts. The attendees handle the equipment and/or navigate through the software in order to acquire comprehensive knowledge of their operation. Creaform has a state-of-the-art training room in its Levis headquarters. Nonetheless, our trainers can also teach on the clients premises, whatever suits their convenience.

We offer training ranging from basic to expert level, which curriculum material and duration are tailored to the client's needs.

TRAINING COURSE	CATIA Surface Design
DURATION	1 day
LEVEL	Fundamentals
OBJECTIVES	<p>Upon completion of this course you will be able to:</p> <ul style="list-style-type: none"> • Identify and use the tools specific to the Generative Shape Design workbench • Create simple reference and Wireframe geometry • Use the reference wireframe elements to create simple surfaces • Create clean topology from a set of surfaces and smooth sharp edges • Detect and correct the discontinuities on curves and surfaces • Create solids from surfaces
PARTICIPANTS' PROFILE	Mechanical Surface Designers
PREREQUISITES	Students attending this course should be familiar with the CATIA V5 interface
CONTENT	<p>This course introduces you to the Generative Shape Design interface and basic tools. You will be taught wireframe and surface creation and you will familiarize yourself with the hybrid design. This course focus on the Generative Shape Design tools that are available with a MD2 license.</p> <ul style="list-style-type: none"> • Introduction to Surface Design • Creating Wireframe Geometry • Shape Design Common Tools • Creating Surfaces • Performing Operations on the Geometry • Completing the Geometry in Part Design • Modifying the Geometry • Using Tools • Master Exercise: Mobile Phone



Creaform is a Dassault-certified training center, through the EPP program.